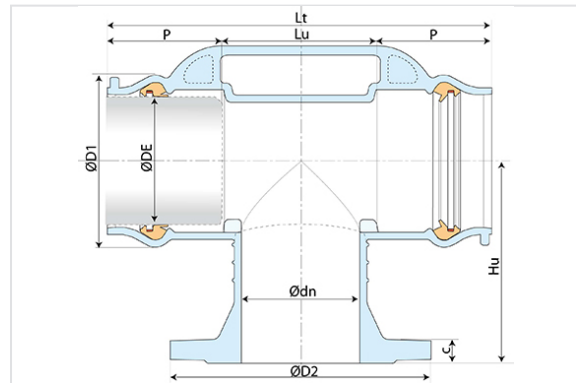


Tee IZIFIT-K with 2 sockets and Fixed Flange branch



DN/OD (mm)	ØDE (mm)	DN flange	PN	ØD1 (mm)	P (mm)	ØD2 (mm)	c (mm)	Lu (mm)	Hu (mm)	Lt (mm)	Mass (kg)	References
63	63	40 mm	10 16	96	83 mm	150	18.5	70	140	236	5.14	KZL63TD1A
63	63	60 mm	10 16	96	83 mm	175	18.5	70	140	236	6.20	KZL63TD1C
140	140	40 mm	10 16	177	108 mm	150	18.5	65	160	281	9.34	KZM14TD1A
140	140	60 mm	10 16	177	108 mm	175	18.5	90	180	306	11.04	KZM14TD1C
140	140	80 mm	10 16	177	108 mm	200	18.5	105	185	321	12.35	KZM14TD1E
140	140	100 mm	10 16	177	108 mm	220	20.5	125	195	341	14.03	KZM14TD1F
140	140	125 mm	10 16	177	108 mm	250	20.5	150	200	366	16.28	KZM14TD1G
160	160	40 mm	10 16	199	114 mm	150	18.5	65	170	293	10.60	KZM16TD1A
160	160	60 mm	10 16	199	114 mm	175	18.5	90	190	318	12.35	KZM16TD1C
160	160	80 mm	10 16	199	114 mm	200	18.5	105	200	333	13.73	KZM16TD1E
160	160	100 mm	10 16	199	114 mm	220	20.5	125	205	353	15.40	KZM16TD1F
160	160	125 mm	10 16	199	114 mm	250	20.5	150	210	378	17.74	KZM16TD1G
160	160	150 mm	10 16	199	114 mm	285	22.5	175	220	403	20.16	KZM16TD1J
200	200	40 mm	10 16	243	127 mm	150	18.5	100	195	354	14.32	KZM20TD1A
200	200	60 mm	10 16	243	127 mm	175	18.5	125	215	379	16.27	KZM20TD1C
200	200	80 mm	10 16	243	127 mm	200	18.5	140	225	394	17.74	KZM20TD1E
200	200	100 mm	10 16	243	127 mm	220	20.5	160	230	414	19.67	KZM20TD1F
200	200	125 mm	10 16	243	127 mm	250	20.5	185	240	439	22.05	KZM20TD1G
200	200	150 mm	10 16	243	127 mm	285	22.5	210	245	464	24.54	KZM20TD1J
200	200	200 mm	10	243	127 mm	340	22.5	260	250	514	29.09	KZM20TD1K

DN/OD (mm)	ØDE (mm)	DN flange	PN	ØD1 (mm)	P (mm)	ØD2 (mm)	c (mm)	Lu (mm)	Hu (mm)	Lt (mm)	Mass (kg)	References
200	200	200 mm	16	243	127 mm	340	22.5	260	250	514	29.09	KZM20TD2K
225	225	60 mm	10 16	271	134.5 mm	175	18.5	125	215	394	18.23	KZM22TD1C
225	225	80 mm	10 16	271	134.5 mm	200	18.5	140	225	409	19.71	KZM22TD1E
225	225	100 mm	10 16	271	134.5 mm	220	20.5	160	230	429	21.75	KZM22TD1F
225	225	150 mm	10 16	271	134.5 mm	285	22.5	210	245	479	26.67	KZM22TD1J
225	225	200 mm	10	271	134.5 mm	340	22.5	260	260	529	31.62	KZM22TD1K
225	225	200 mm	16	271	134.5 mm	340	22.5	260	260	529	31.62	KZM22TD2K

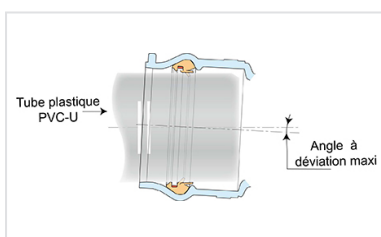
Field of use:

- Jointing of PVC-U pipes
- For potable water networks

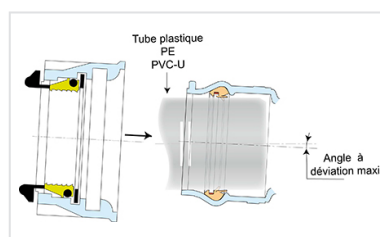
Main characteristics:

- EN 12842
- External and internal coating : Blue epoxy powder 250 microns average thickness with a minimum of 200 microns, conforming to EN 14901-1 (PECB)
- IZIFIT-K fittings are supplied with pre-fitted gaskets protected by caps
- Elastomer quality : EPDM (EN 681-1)

Linked products



IZIFIT-K Joint for plastics piping systems



IZIFIT-K anchored Vi Joint for plastics piping systems

The information on this sketch is, to the best of our knowledge correct at the time of printing. However Saint-Gobain are constantly looking at ways of improving their products and services therefore reserve the right to change without prior notice, any of the data shown. Any orders placed will be subject to our Standard Conditions of Sale, available on request.