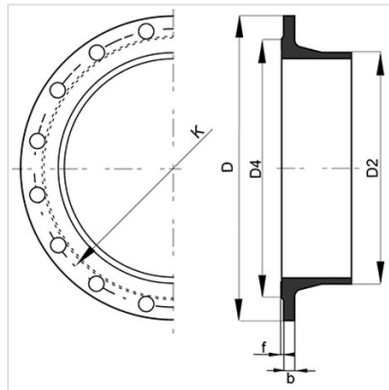


Brida Fija para Tuberías y Accesorios con bridas fijas



Dimensions of Fixed Flange for Pipes and Fittings with Fixed Flanges

PN10

DN mm	D mm	D2 mm	D4 mm	K mm	b mm	f mm
80	200	98	132	160	16.0	3
100	220	118	156	180	16.0	3
125	250	144	184	210	16.0	3
150	285	170	211	240	16.0	3
200	340	222	266	295	17.0	3
250	400	274	319	350	19.0	3
300	455	326	370	400	20.5	4
350	505	378	429	460	20.5	4
400	565	429	480	515	20.5	4
450	615	480	530	565	21.5	4
500	670	532	582	620	22.5	4
600	780	635	682	725	26.0	4
700	895	738	794	840	27.5	5
800	1015	842	901	950	30.0	5
900	1115	945	1001	1050	32.5	5
1000	1230	1048	1112	1160	35.0	5
1100	1340	1152	1218	1270	37.5	5
1200	1455	1255	1328	1380	40.0	5

DN	D	D2	D4	K	b	f
mm	mm	mm	mm	mm	mm	mm
1400	1675	1462	1530	1590	41.0	5
1500	1785	1565	1640	1700	42.5	5
1600	1915	1668	1750	1820	44.0	5
1800	2115	1875	1950	2020	47.0	5
2000	2325	2082	2150	2230	50.0	5

PN16

DN	D	D2	D4	K	b	f
mm	mm	mm	mm	mm	mm	mm
80	200	98	132	160	16.0	3
100	220	118	156	180	16.0	3
125	250	144	184	210	16.0	3
150	285	170	211	240	16.0	3
200	340	222	266	295	17.0	3
250	400	274	319	350	19.0	3
300	455	326	370	400	20.5	4
350	520	378	429	460	22.5	4
400	580	429	480	515	24.0	4
450	640	480	530	565	26.0	4
500	715	532	582	620	27.5	4
600	840	635	682	725	32.0	4
700	910	738	794	840	34.5	5
800	1025	842	901	950	38.0	5
900	1125	945	1001	1050	41.5	5
1000	1255	1048	1112	1160	45.0	5
1100	1355	1152	1218	1270	48.5	5
1200	1485	1255	1328	1380	52.0	5
1400	1685	1462	1530	1590	55.0	5
1500	1820	1565	1640	1700	57.5	5
1600	1930	1668	1750	1820	60.0	5
1800	2130	1875	1950	2020	65.0	5
2000	2345	2082	2150	2230	70.0	5

PN25

DN mm	D mm	D2 mm	D4 mm	K mm	b mm	f mm
80	200	98	132	160	16.0	3
100	235	118	156	190	16.0	3
125	270	144	184	220	16.0	3
150	300	170	211	250	17.0	3
200	360	222	274	310	19.0	3
250	425	274	330	370	21.5	3
300	485	326	389	430	23.5	4
350	555	378	448	490	26.0	4
400	620	429	503	550	28.0	4
450	670	480	548	600	30.5	4
500	730	532	609	660	32.5	4
600	845	635	720	770	38.0	4
700	960	738	820	875	41.5	5
800	1085	842	928	990	46.0	5
900	1185	945	1028	1090	50.5	5
1000	1320	1048	1140	1210	55.0	5
1100	1420	1152	1240	1310	59.5	5
1200	1530	1255	1350	1420	64.0	5
1400	1755	1462	1560	1640	69.0	5
1500	1865	1565	1678	1750	72.5	5
1600	1975	1668	1780	1860	76.0	5
1800	2195	1875	1985	2070	83.0	5
2000	2425	2082	2210	2300	90.0	5

PN40

DN mm	D mm	D2 mm	D4 mm	K mm	b mm	f mm
80	200	98	132	160	16.0	3
100	235	118	156	190	16.0	3
125	270	144	184	220	20.5	3
150	300	170	211	250	23.0	3

DN mm	D mm	D2 mm	D4 mm	K mm	b mm	f mm
200	375	222	284	320	27.0	3
250	450	274	345	385	31.5	3
300	515	326	409	450	35.5	4
350	580	378	465	510	40.0	4
400	660	429	535	585	44.0	4
450	685	480	560	610	45.0	4
500	755	532	615	670	48.0	4
600	890	635	735	795	54.0	4

PN63

DN mm	D mm	D2 mm	D4 mm	K mm	b mm	f mm
80	215	98	132	170	28.0	3
100	250	118	156	200	30.0	3
125	295	144	184	240	34.0	3
150	345	170	211	280	36.0	3
200	415	222	284	345	43.0	3
250	470	274	345	400	47.0	3
300	530	326	409	460	53.0	4
400	670	429	535	585	61.0	4
500	800	532	640	705	75.0	4

PN100

DN mm	D mm	D2 mm	D4 mm	K mm	b mm	f mm
80	230	98	138	180	35.0	3
100	265	118	162	210	39.0	3
125	315	144	188	250	41.0	3
150	355	170	218	290	41.0	3
200	430	222	285	360	49.0	3
250	505	274	345	430	57.0	3
300	585	326	410	500	64.0	4

DN	D	D2	D4	K	b	f
mm	mm	mm	mm	mm	mm	mm
400	715	429	535	620	61.0	4