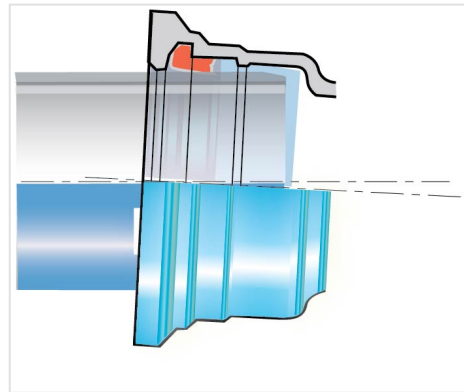


Kit Codo Standard PECB + Junta Standard



DN	Ángulo	Peso total	Referencias
60	90°	6.42 kg	SSA60CA00TT-E00
60	45°	6.72 kg	SSA60CB00TT-E00
60	22°30	5.12 kg	SSA60CD00TT-E00
80	90°	7.9 kg	SSA80CA00TT-E00
80	45°	7.3 kg	SSA80CB00TT-E00
80	22°30	6.5 kg	SSA80CD00TT-E00
80	11°15	6.8 kg	SSA80CE00TT-E00
100	90°	10.4 kg	SSB10CA00TT-E00
100	45°	9.3 kg	SSB10CB00TT-E00
100	22°30	8.2 kg	SSB10CD00TT-E00
100	11°15	8.3 kg	SSB10CE00TT-E00
125	45°	12.78 kg	SSB12CB00TT-E00
125	22°30	10.38 kg	SSB12CD00TT-E00
125	11°15	10.78 kg	SSB12CE00TT-E00
150	90°	18.68 kg	SSB15CA00TT-E00
150	45°	16.18 kg	SSB15CB00TT-E00
150	22°30	12.78 kg	SSB15CD00TT-E00
150	11°15	13.18 kg	SSB15CE00TT-E00
200	90°	29.96 kg	SSB20CA00TT-E00
200	45°	24.46 kg	SSB20CB00TT-E00
200	22°30	19.66 kg	SSB20CD00TT-E00
200	11°15	19.96 kg	SSB20CE00TT-E00

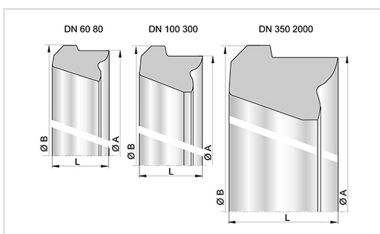
DN	Ángulo	Peso total	Referencias
250	90°	50.6 kg	SSB25CA00TT-E00
250	45°	41.5 kg	SSB25CB00TT-E00
250	22°30	33.2 kg	SSB25CD00TT-E00
250	11°15	31.5 kg	SSB25CE00TT-E00
300	90°	74.12 kg	SSB30CA00TT-E00
300	45°	60.42 kg	SSB30CB00TT-E00
300	22°30	43.62 kg	SSB30CD00TT-E00
300	11°15	41.12 kg	SSB30CE00TT-E00
350	90°	77.09 kg	SSB35CA00TT2-E00
350	45°	143.34 kg	SSB35CB00TT2-E02
350	22°30	45.59 kg	SSB35CD00TT2-E00
350	11°15	42.44 kg	SSB35CE00TT2-E00
400	90°	98.87 kg	SSB40CA00TT2-E00
400	45°	74.16 kg	SSB40CB00TT2-E00
400	22°30	60.16 kg	SSB40CD00TT2-E00
400	11°15	52.86 kg	SSB40CE00TT2-E00
450	45°	92.73 kg	SSB45CB00TT2-E00
450	22°30	73.83 kg	SSB45CD00TT2-E00
500	90°	158.48 kg	SSB50CA00TT2-E00
500	45°	128.14 kg	SSB50CB00TT2-E00
500	22°30	99.37 kg	SSB50CD00TT2-E00
500	11°15	77.84 kg	SSB50CE00TT2-E00
600	90°	315.32 kg	SSB60CA00TT-E00
600	45°	189.33 kg	SSB60CB00TT2-E00
600	11°15	110.69 kg	SSB60CE00TT2-E00
700	90°	589.74 kg	SSB70CA00TT-E00
700	45°	316.24 kg	SSB70CB00TT-E00
700	22°30	236.34 kg	SSB70CD00TT-E00
700	11°15	202.74 kg	SSB70CE00TT-E00
800	90°	703.34 kg	SSB80CA00TT-E00
800	45°	421.44 kg	SSB80CB00TT-E00
800	22°30	310.34 kg	SSB80CD00TT-E00
800	11°15	260.74 kg	SSB80CE00TT-E00
1000	90°	1472.18 kg	SSC10CA00TT-E00

DN	Ángulo	Peso total	Referencias
1000	45°	714.48 kg	SSC10CB00TT-E00
1000	22°30	518.18 kg	SSC10CD00TT-E00
1000	11°15	429.18 kg	SSC10CE00TT-E00
1500	45°	1854.54 kg	SSC15CB00TT-E00
1800	45°	3181.44 kg	SSC18CB00TT-E00
1800	22°30	2125.44 kg	SSC18CD00TT-E00
1800	11°15	1597.44 kg	SSC18CE00TT-E00
2000	45°	3760 kg	SSC20CB00TT-E00
2000	22°30	2726 kg	SSC20CD00TT-E00
2000	11°15	2209 kg	SSC20CE00TT-E00

DN mm	Clase	PFA bar
60	C40	40
80	C40	40
100	C40	40
125	C40	40
150	C40	40
200	C40	40
250	C40	40
300	C40	40
350	C30	30
400	C30	30
450	C30	30
500	C30	30
600	C30	30
700	C25	25
800	C25	25
900	C25	25
1000	C25	25
1100	C25	25
1200	C25	25
1400	C25	25
1500	C25	25

DN mm	Clase	PFA bar
1600	C25	25
1800	C25	25
2000	C25	25

Productos vinculados



Junta de elastómero
Standard para Tubería y
Accesorios DN60-2000