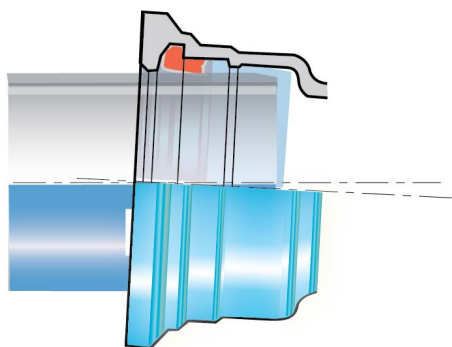


Kit Te Standard AQB + Junta Standard

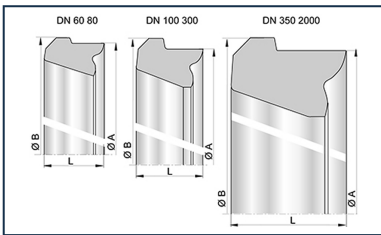


DN	Ø dn	Peso total	Referencias
60	60	9.03 kg	NSA60TEOCNN2-E00
80	80	11.65 kg	NSA80TEOENN2-E00
100	100	15.5 kg	NSB10TEOFNN2-E00
125	80	16.13 kg	NSB12TEOENN2-E00
125	100	33.08 kg	NSB12TEOFNN2-E00
125	125	21.72 kg	NSB12TEOGNN2-E00
150	80	18.93 kg	NSB15TEOENN2-E00
150	100	20.58 kg	NSB15TEOFNN2-E00
150	150	27.87 kg	NSB15TEOJNN2-E00
200	100	28.46 kg	NSB20TEOFNN2-E00
200	125	30.7 kg	NSB20TEOGNN2-E00
200	150	33.35 kg	NSB20TEOJNN2-E00
200	200	41.84 kg	NSB20TEOKNN2-E00
250	80	31.75 kg	NSB25TEOENN2-E00
250	100	33.5 kg	NSB25TEOFNN2-E00
250	150	38.19 kg	NSB25TEOJNN2-E00
250	200	43.38 kg	NSB25TEOKNN2-E00
250	250	51.2 kg	NSB25TEOLNN2-E00
300	100	42.62 kg	NSB30TEOFNN2-E00
300	150	47.71 kg	NSB30TEOJNN2-E00
300	200	53.9 kg	NSB30TEOKNN2-E00
300	250	62.32 kg	NSB30TEOLNN2-E00

DN	Ø dn	Peso total	Referencias
300	300	71.13 kg	NSB30TEOMNN2-E00

DN	Clase	PFA
mm		bar
60	C40	40
80	C40	40
100	C40	40
125	C40	40
150	C40	40
200	C40	40
250	C40	40
300	C40	40

Productos vinculados



Junta de elastómero
Standard para Tubería y
Accesorios DN60-2000