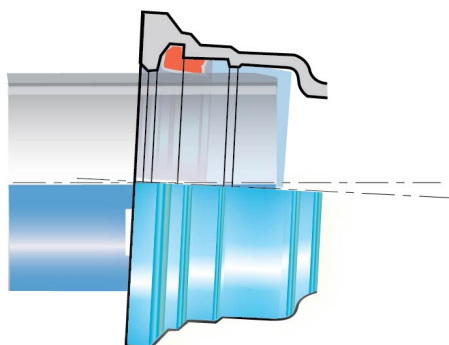


Kit Te Standard PECB + Junta Standard



brida orientable

DN	Ø dn	PN	Peso total	Referencias
60	60	10 16	9.92 kg	SSA60UD1CTT-E00
80	40	10 16 25 40	10.5 kg	SSA80UD1ATT-E00
80	60	10 16	11.4 kg	SSA80UD1CTT-E00
80	80	10 16 25 40	12.8 kg	SSA80UD1ETT-E00
100	40	10 16 25 40	12.4 kg	SSB10UD1ATT-E00
100	60	10 16	13.3 kg	SSB10UD1CTT-E00
100	80	10 16 25 40	15 kg	SSB10UD1ETT-E00
100	100	10 16	16.8 kg	SSB10UD1FTT-E00
125	60	10 16	15.68 kg	SSB12UD1CTT-E00
125	80	10 16 25 40	17.28 kg	SSB12UD1ETT-E00
125	100	10 16	18.98 kg	SSB12UD1FTT-E00
125	125	10 16	23.48 kg	SSB12UD1GTT-E00
150	40	10 16 25 40	17.68 kg	SSB15UD1ATT-E00
150	60	10 16	18.58 kg	SSB15UD1CTT-E00
150	80	10 16 25 40	20.18 kg	SSB15UD1ETT-E00
150	100	10 16	21.98 kg	SSB15UD1FTT-E00
150	150	10 16	30.08 kg	SSB15UD1JTT-E00
200	60	10 16	26.76 kg	SSB20UD1CTT-E00
200	80	10 16 25 40	27.76 kg	SSB20UD1ETT-E00
200	100	10 16	29.86 kg	SSB20UD1FTT-E00
200	150	10 16	35.66 kg	SSB20UD1JTT-E00

DN	Ø dn	PN	Peso total	Referencias
200	200	10	45.46 kg	SSB20UD1KTT-E00
200	200	16	45.36 kg	SSB20UD2KTT-E00
250	60	10 16	32.4 kg	SSB25UD1CTT2-E00
250	80	10 16 25 40	32.3 kg	SSB25UD1ETT2-E00
250	100	10 16	33.8 kg	SSB25UV1FTT2-E00
250	150	10 16	40 kg	SSB25UD1JTT2-E00
250	200	10	48 kg	SSB25UD1KTT2-E00
250	200	16	48.2 kg	SSB25UD2KTT2-E00
250	250	10	56.8 kg	SSB25UD1LTT2-E00
250	250	16	56.8 kg	SSB25UD2LTT2-E00
300	60	10 16	43.12 kg	SSB30UD1CTT2-E00
300	80	10 16 25 40	42.92 kg	SSB30UD1ETT2-E00
300	100	10 16	43.22 kg	SSB30UV1FTT2-E00
300	150	10 16	50.22 kg	SSB30UD1JTT2-E00
300	200	10	59.72 kg	SSB30UD1KTT2-E00
300	200	16	59.92 kg	SSB30UD2KTT2-E00
300	250	16	69.32 kg	SSB30UD2LTT2-E00
300	300	10	80.52 kg	SSB30UD1MTT2-E00
300	300	16	80.02 kg	SSB30UD2MTT2-E00
350	60	10 16	50.21 kg	SSB35UD1CTT2-E00
350	60	25 40	50.21 kg	SSB35UD3CTT2-E00
350	80	10 16 25 40	51.89 kg	SSB35UD1ETT2-E00
350	100	10 16	73.6 kg	SSB35UV1FTT-E00
350	150	10 16	61.65 kg	SSB35UD1JTT2-E00
350	150	25 40	63.75 kg	SSB35UD3JTT2-E00
350	200	10	68.3 kg	SSB35UD1KTT2-E00
350	200	16	68.5 kg	SSB35UD2KTT2-E00
350	200	25	69.8 kg	SSB35UD3KTT2-E00
350	250	10	80.3 kg	SSB35UD1LTT2-E00
350	250	16	80.3 kg	SSB35UD2LTT2-E00
350	300	10	86.6 kg	SSB35UD1MTT2-E00
350	300	16	86.1 kg	SSB35UD2MTT2-E00
350	350	10	132.8 kg	SSB35UD1YTT-E00
350	350	16	133.8 kg	SSB35UD2YTT-E00
400	80	10 16 25 40	63.16 kg	SSB40UD1ETT2-E00

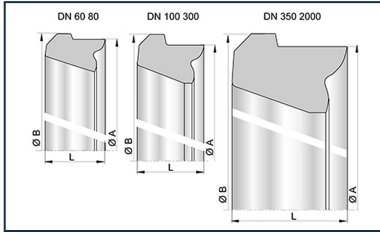
DN	Ø dn	PN	Peso total	Referencias
400	100	10 16	69.15 kg	SSB40UV1FTT2-E00
400	150	10 16	70.62 kg	SSB40UD1JTT2-E00
400	200	10	79.55 kg	SSB40UD1KTT2-E00
400	200	16	79.76 kg	SSB40UD2KTT2-E00
400	250	10	92.88 kg	SSB40UD1LTT2-E00
400	250	16	92.88 kg	SSB40UD2LTT2-E00
400	250	25	95.61 kg	SSB40UD3LTT2-E00
400	300	10	99.71 kg	SSB40UD1MTT2-E00
400	300	16	99.18 kg	SSB40UD2MTT2-E00
400	400	10	123.75 kg	SSB40UD1NTT2-E00
400	400	16	128.48 kg	SSB40UD2NTT2-E00
400	400	25	137.93 kg	SSB40UD3NTT2-E00
450	100	10 16	80.55 kg	SSB45UV1FTT2-E00
450	100	25 40	81.92 kg	SSB45UV3FTT2-E00
450	150	10 16	89.27 kg	SSB45UD1JTT2-E00
450	150	25 40	91.37 kg	SSB45UD3JTT2-E00
450	450	10	203.64 kg	SSB45UD1PTT-E00
450	450	16	209.64 kg	SSB45UD2PTT-E00
500	100	10 16	91.81 kg	SSB50UV1FTT2-E00
500	100	25 40	93.17 kg	SSB50UV3FTT2-E00
500	150	10 16	135.28 kg	SSB50UD1JTT-E00
500	150	25 40	137.28 kg	SSB50UD3JTT-E00
500	200	10	111.88 kg	SSB50UD1KTT2-E00
500	200	16	112.08 kg	SSB50UD2KTT2-E00
500	200	25	113.48 kg	SSB50UD3KTT2-E00
500	250	10	152.68 kg	SSB50UD1LTT-E00
500	300	16	191.08 kg	SSB50UD2MTT-E00
500	400	10	162.18 kg	SSB50UD1NTT2-E00
500	400	16	166.88 kg	SSB50UD2NTT2-E00
500	500	10	259.39 kg	SSB50UD1QTT2-E00
500	500	16	428.44 kg	SSB50UD2QTT2-E00
600	100	10 16	126.82 kg	SSB60UV1FTT2-E00
600	100	25 40	128.22 kg	SSB60UV3FTT2-E00
600	150	10 16	172.32 kg	SSB60UD1JTT-E00
600	200	10	166.86 kg	SSB60UV1KTT2-E00

DN	Ø dn	PN	Peso total	Referencias
600	200	25	181.04 kg	SSB60UV3KTT2-E00
600	300	10	234.62 kg	SSB60UD1MTT-E00
600	300	16	233.92 kg	SSB60UD2MTT-E00
600	400	10	212.32 kg	SSB60UD1NTT2-E00
600	400	16	217.32 kg	SSB60UD2NTT2-E00
700	150	10 16	267.94 kg	SSB70UD1JTT-E00
700	150	25 40	265.87 kg	SSB70UD3JTT-E00
700	200	10	267.87 kg	SSB70UD1KTT-E00
700	400	10	349.87 kg	SSB70UD1NTT-E00
700	400	16	356.74 kg	SSB70UD2NTT-E00
700	600	10	476.87 kg	SSB70UD1RTT-E00
700	600	16	501.87 kg	SSB70UD2RTT-E00
700	600	25	504.87 kg	SSB70UD3RTT-E00
800	150	10 16	339.34 kg	SSB80UD1JTT-E00
800	150	25 40	336.67 kg	SSB80UD3JTT-E00
800	200	16	339.67 kg	SSB80UD2KTT-E00
800	250	10	353.67 kg	SSB80UV1LTT-E00
800	400	10	433.67 kg	SSB80UD1NTT-E00
800	400	16	442.34 kg	SSB80UD2NTT-E00
800	600	10	620.67 kg	SSB80UD1RTT-E00
800	600	16	645.67 kg	SSB80UD2RTT-E00
800	600	25	648.67 kg	SSB80UD3RTT-E00
1000	150	10 16	458.18 kg	SSC10UD1JTT-E00
1000	200	10	521.18 kg	SSC10UD1KTT-E00
1000	200	16	521.18 kg	SSC10UD2KTT-E00
1000	200	25	523.18 kg	SSC10UD3KTT-E00
1000	250	10	531.18 kg	SSC10UV1LTT-E00
1000	250	16	530.18 kg	SSC10UV2LTT-E00
1000	250	25	533.18 kg	SSC10UV3LTT-E00
1000	300	16	580.18 kg	SSC10UD2MTT-E00
1000	300	25	585.18 kg	SSC10UD3MTT-E00
1000	400	10	650.18 kg	SSC10UD1NTT-E00
1000	400	16	655.18 kg	SSC10UD2NTT-E00
1000	400	25	664.18 kg	SSC10UD3NTT-E00
1000	600	10	1018.18 kg	SSC10UD1RTT-E00

DN	Ø dn	PN	Peso total	Referencias
1000	600	16	1043.18 kg	SSC10UD2RTT-E00
1000	600	25	1046.18 kg	SSC10UD3RTT-E00

DN	Clase	PFA
mm		bar
60	C40	40
80	C40	40
100	C40	40
125	C40	40
150	C40	40
200	C40	40
250	C40	40
300	C40	40
350	C30	30
400	C30	30
450	C30	30
500	C30	30
600	C30	30
700	C25	25
800	C25	25
900	C25	25
1000	C25	25
1100	C25	25
1200	C25	25
1400	C25	25
1500	C25	25
1600	C25	25
1800	C25	25
2000	C25	25

Productos vinculados



Junta de elastómero
Standard para Tubería y
Accesorios DN60-2000