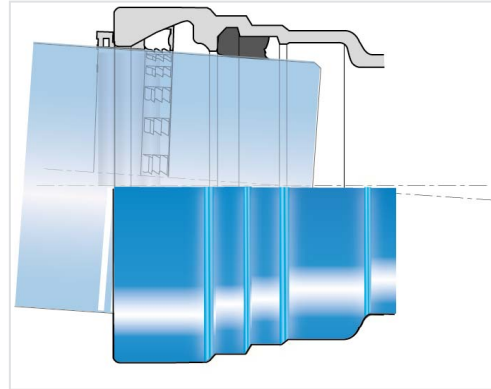


## Ensemble Raccord Universal Standard PECB + Joint Universal Standard Vi



Coude Universal Standard

DN	Angle	Poids de l'ensemble	Référence
80	45°	11 kg	SFA80CB00TT-E06
80	22°30	15.4 kg	SFA80CD00TT-E06
80	11°15	15.1 kg	SFA80CE00TT-E06
100	45°	18.8 kg	SFB10CB00TT-E06
100	22°30	17.9 kg	SFB10CD00TT-E06
100	11°15	17.8 kg	SFB10CE00TT-E06
125	11°15	17.5 kg	SFB12CE00TT-E06
150	45°	28.2 kg	SFB15CB00TT-E06
150	22°30	26.8 kg	SFB15CD00TT-E06
150	11°15	26.2 kg	SFB15CE00TT-E06
200	90°	49.54 kg	SFB20CA00TT-E06
200	45°	42.74 kg	SFB20CB00TT-E06
200	30°	40.34 kg	SFB20CC00TT-E06
200	22°30	38.44 kg	SFB20CD00TT-E06
200	11°15	37.64 kg	SFB20CE00TT-E06
250	90°	67.02 kg	SFB25CA00TT-E06
250	45°	56.72 kg	SFB25CB00TT-E06
250	30°	53.52 kg	SFB25CC00TT-E06
250	22°30	52.62 kg	SFB25CD00TT-E06
250	11°15	50.32 kg	SFB25CE00TT-E06
300	90°	97.98 kg	SFB30CA00TT-E06

DN	Angle	Poids de l'ensemble	Référence
300	45°	81.38 kg	SFB30CB00TT-E06
300	30°	77.98 kg	SFB30CC00TT-E06
300	22°30	74.48 kg	SFB30CD00TT-E06
300	11°15	68.68 kg	SFB30CE00TT-E06
400	90°	146.56 kg	SFB40CA00TT-E06
400	45°	118.76 kg	SFB40CB00TT-E06
400	30°	107.56 kg	SFB40CC00TT-E06
400	22°30	103.36 kg	SFB40CD00TT-E06
400	11°15	92.56 kg	SFB40CE00TT-E06
500	90°	242.86 kg	SFB50CA00TT-E06
500	45°	183.96 kg	SFB50CB00TT-E06
500	30°	172.16 kg	SFB50CC00TT-E06
500	22°30	169.16 kg	SFB50CD00TT-E06
500	11°15	147.16 kg	SFB50CE00TT-E06
600	90°	360.62 kg	SFB60CA00TT-E06
600	45°	294.32 kg	SFB60CB00TT-E06
600	30°	244.62 kg	SFB60CC00TT-E06
600	22°30	232.32 kg	SFB60CD00TT-E06
600	11°15	201.32 kg	SFB60CE00TT-E06

### Cône Universal Standard

DN	Ø dn	Poids de l'ensemble	Référence
150	100	21 kg	SFB15VE0FTT-E06
250	200	41.98 kg	SFB25VE0KTT-E06
400	300	90.27 kg	SFB40VE0MTT-E06
500	400	131.86 kg	SFB50VE0NTT-E06

### Té 3E Universal

DN	Ø dn	Poids de l'ensemble	Référence
100	100	25.4 kg	SFB10TE0FTT-E06
150	100	34.4 kg	SFB15TE0FTT-E06
150	150	40 kg	SFB15TE0JTT-E06
200	100	48.24 kg	SFB20TE0FTT-E06
250	250	81.33 kg	SFB25TE0LTT-E06
300	100	82.38 kg	SFB30TE0FTT-E06

Tés 2EB Universal

DN	Ø dn	PN	Poids de l'ensemble	Référence
100	80	10 16 25 40	22 kg	SFB10UD1ETT-E06
100	100	10 16	23.3 kg	SFB10UD1FTT-E06
100	100	25 40	23.8 kg	SFB10UD3FTT-E06
125	80	10 16 25 40	22.5 kg	SFB12UD1ETT-E06
150	100	10 16	32.6 kg	SFB15UD1FTT-E06
150	150	10 16	37.6 kg	SFB15UD1JTT-E06
200	80	10 16 25 40	44.64 kg	SFB20UD1ETT-E06
200	100	10 16	46.74 kg	SFB20UD1FTT-E06
200	100	25 40	47.24 kg	SFB20UD3FTT-E06
200	200	16	58.74 kg	SFB20UD2KTT-E06
250	100	25 40	61.46 kg	SFB25UD3FTT-E06
250	250	16	82.42 kg	SFB25UD2LTT-E06
300	80	10 16 25 40	72.48 kg	SFB30UD1ETT-E06
300	100	10 16	82.88 kg	SFB30UD1FTT-E06
300	100	25 40	83.38 kg	SFB30UD3FTT-E06
300	150	10 16	89.28 kg	SFB30UD1JTT-E06
300	300	16	111.98 kg	SFB30UD2MTT-E06
400	80	10 16 25 40	90.96 kg	SFB40UD1ETT-E06
400	100	10 16	93.56 kg	SFB40UD1FTT-E06
400	100	25 40	94.56 kg	SFB40UD3FTT-E06
400	150	25 40	110.76 kg	SFB40UD3JTT-E06
400	400	10	180.24 kg	SFB40UD1NTT-E06
500	80	10 16 25 40	157.86 kg	SFB50UD1ETT-E06
500	100	10 16	155.16 kg	SFB50UD1FTT-E06
500	150	10 16	174.16 kg	SFB50UD1JTT-E06
500	200	10	188.16 kg	SFB50UD1KTT-E06
500	200	16	188.06 kg	SFB50UD2KTT-E06
500	300	10	205.46 kg	SFB50UD1MTT-E06
500	300	16	204.76 kg	SFB50UD2MTT-E06
500	400	16	239.96 kg	SFB50UD2NTT-E06
500	500	10	358.16 kg	SFB50UD1QTT-E06
500	500	16	371.16 kg	SFB50UD2QTT-E06
600	100	10 16	238.12 kg	SFB60UD1FTT-E06

DN	Ø dn	PN	Poids de l'ensemble	Référence
600	150	10 16	239.48 kg	SFB60UD1JTT-E06
600	150	25 40	241.52 kg	SFB60UD3JTT-E06
600	200	10	247.32 kg	SFB60UD1KTT-E06
600	200	16	247.32 kg	SFB60UD2KTT-E06
600	250	16	294.52 kg	SFB60UD2LTT-E06
600	300	10	305.32 kg	SFB60UD1MTT-E06
600	300	16	305.32 kg	SFB60UD2MTT-E06
600	400	16	317.12 kg	SFB60UD2NTT-E06
600	600	10	395.32 kg	SFB60UD1RTT-E06
600	600	16	420.32 kg	SFB60UD2RTT-E06

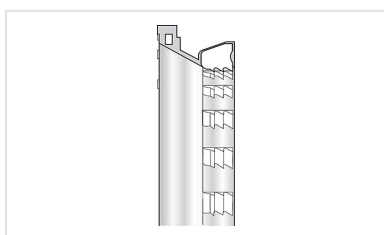
### Bride Emboîtement Universel

DN	PN	Poids de l'ensemble	Référence
100	10 16	11.7 kg	SFB10BE10TT-E06
100	25 40	12.71 kg	SFB10BE30TT-E06
125	10 16	12 kg	SFB12BE10TT-E06
150	10 16	21.9 kg	SFB15BE10TT-E06
150	25 40	19.61 kg	SFB15BE30TT-E06
200	10	26.27 kg	SFB20BE10TT-E06
200	16	26.27 kg	SFB20BE20TT-E06
200	25	29.47 kg	SFB20BE30TT-E06
250	10	35.81 kg	SFB25BE10TT-E06
250	16	35.81 kg	SFB25BE20TT-E06
250	25	40.98 kg	SFB25BE30TT-E06
250	40	44.11 kg	SFB25BE40TT-E06
300	10	49.49 kg	SFB30BE10TT-E06
300	16	49.49 kg	SFB30BE20TT-E06
300	25	52.19 kg	SFB30BE30TT-E06
300	40	78.89 kg	SFB30BE40TT-E06
400	10	64.88 kg	SFB40BE10TT-E06
400	16	64.52 kg	SFB40BE20TT-E06
400	25	73.52 kg	SFB40BE30TT-E06
500	10	114.08 kg	SFB50BE10TT-E06
500	16	91.82 kg	SFB50BE20TT-E06
500	25	97.82 kg	SFB50BE30TT-E06

DN	PN	Poids de l'ensemble	Référence
600	10	166.16 kg	SFB60BE10TT-E06
600	16	191.16 kg	SFB60BE20TT-E06
600	25	194.16 kg	SFB60BE30TT-E06

DN mm	PFA bar
80	100
100	56
125	52
150	48
200	43
250	39
300	34
400	20
500	16
600	16
700	10

## Produits associés



Joint UNI STD Vi pour  
Tuyaux et Raccords