

RFLEX - Coupling Large Tolerance



- DN350 - DN1200 (OD 340 mm to OD 1268 mm) **
- PFA16 **
- Grey & ductile cast iron, Steel, PVC pressure pipe, PE
- Drinking water and raw water
- Carbon steel body coated with RILSAN[®] 11, thickness 250μ
- EPDM seal (drinking water/raw water) or NBR seal (wastewater)
- GEOMET steel or A2 stainless steel tie rods (optional)
- Tolerance of 24 to 30 mm depending on DN
- Angular deviation $\pm 3^\circ$ DN350-DN700
- Angular deviation $\pm 2^\circ$ DN800-DN900
- Angular deviation $\pm 1.5^\circ$ DN1000 and above

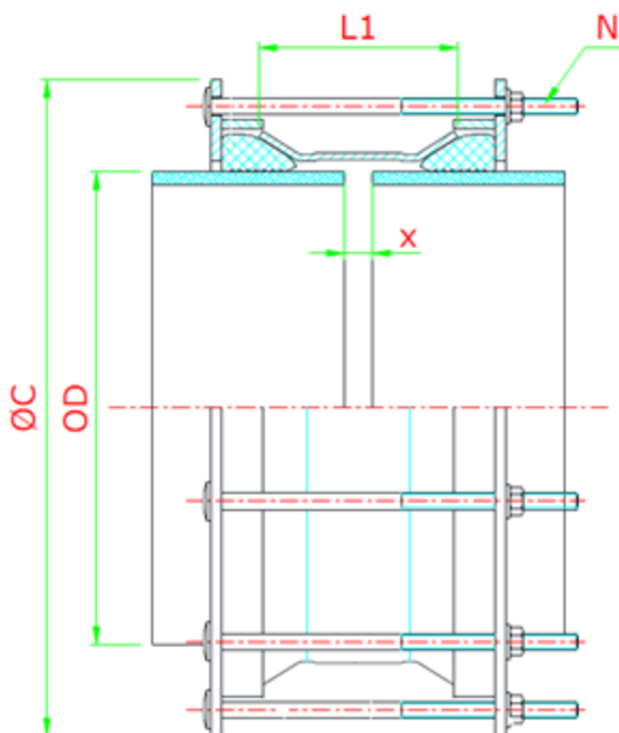
*** Other DN, PFA, please consult us*

The RFLEX range of large tolerance, multi-material, non-locking sleeves guarantees a watertight seal on all types of cast iron/steel pipes and PVC/PE pipes from DN350 to DN1200 PFA16.

The tie rods compress the seals to achieve a perfect seal. The seal is truncated conical, which ensures optimal positioning on the pipe while allowing a tolerance of up to 24 mm (DN>600) or 30 mm (DN<600) on the outside diameter.

The part is coated with RILSAN[®]11, a high-performance biological polyamide made from castor beans. This coating offers an exceptional level of versatility, safety, durability, and resistance to permeation.

							PFA 16 bar	
DN	J Mini - Maxi	L1 (mm)	ØC (mm)	X mini/X maxi (mm)	Número	Peso líquido	Referência	
350	365-395	170	571	20-60	10	37,00	MCB35D395XCARG	
400	410-440	170	616	20-60	10	42,00	MCB40D440XCARG	
450	465-495	170	671	20-60	12	47,00	MCB45D495XCARG	
500	518-548	170	724	20-60	12	53,00	MCB50D548XCARG	
600	620-650	170	826	20-60	14	60,00	MCB60D650XCARG	
700	726-750	170	893	20-60	16	72,00	MCB70D750XCARG	
800	824-848	170	991	20-60	18	83,00	MCB80D848XCARG	
900	934-958	170	1101	20-60	20	92,00	MCB90D958XCARG	
1000	1036-1060	170	1203	20-60	22	102,00	MCC10D1060XCARG	
1100	1140-1164	170	1307	20-60	24	111,00	MCC11D1164XCARG	
1200	1244-1268	170	1411	20-60	26	119,00	MCC12D1268XCARG	



Product description



1- Central body

Central part made of RILSAN[®] 11-coated carbon steel. The tapered ends ensure uniform compression of the seals without creep.

2- Compression ring

RILSAN[®] 11-coated carbon steel compression flange, which compresses the seal onto the pipe surface when the bolts are tightened.

3- Gasket

Truncated cone-shaped gasket that fits perfectly between the connector body and the pipe. It provides a complete seal and a tolerance of 24 or 30 mm on the pipe's OD.

4- Bolt holes

Round or square holes for housing the bolts.

5- Compression tie rods

Made of GEOMET-coated steel or stainless steel, they bring the two compression parts together and ensure the sleeve is sealed.

Material and coatings



Reference	Designation	Material	Coating
1	Central body	Carbon steel	RILSAN®11
2	Compression ring	Carbon steel	RILSAN®11
3	Sealing gasket	EPDM or NBR	
5	Tie rod	GEOMET steel or stainless steel	

Installation instructions

See our [Installation Instructions](#)