

## RFLEX - Flange Adaptor Smart joint Large Tolerance anchored



The RFLEX range of multi-material, wide tolerance flange adapters guarantees a tight seal and high tensile strength on all types of ductile iron, steel, and plastic pipes from DN50 to DN300 PN6 to PN16.

Very quick and easy to install, RFLEX allows independent adjustment of the locking and sealing mechanisms.

The independently adjustable C40 hardened steel pads ensure locking. The gap left between the screw and the pad guarantees optimal positioning of the pad on the pipe surface when tightening. The specific shape of the teeth allows for clamping that guarantees high tear resistance. The pad can be mounted and dismantled without damaging the coating. The possible angular deviation is  $\pm 4^\circ$ .

A RILSAN®11-coated ductile iron retention and anti-disengagement ring at each end increases tear resistance by guiding the pads and preventing them from rotating. It promotes better sealing by preventing the tie rods from rotating during tightening. It also protects the pads from external contamination.

The stainless steel tie rods connect the flange to the fitting. They compress the gasket to achieve a perfect seal. The EPDM gasket is truncated conical, which ensures optimal positioning on the pipe while allowing a tolerance of up to 26 mm on the outside diameter.

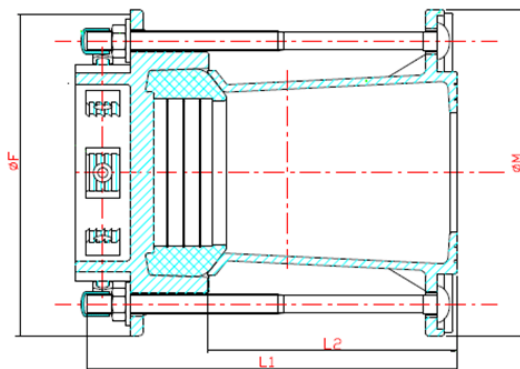
The part is coated with Rilsan® 11, a high-performance biological polyamide made from renewable castor beans. This coating offers an exceptional level of versatility, safety, durability, and resistance to permeation.

- DN50 – DN300 (OD 58 mm to OD 327 mm)
- Grey & ductile cast iron, steel, PVC pressure\*, PE\*
- Drinking water and raw water
- GS cast iron body coated with Rilsan® Polyamide 11
- A2 stainless steel tie rods
- C40 GEOMET hardened steel locking pads

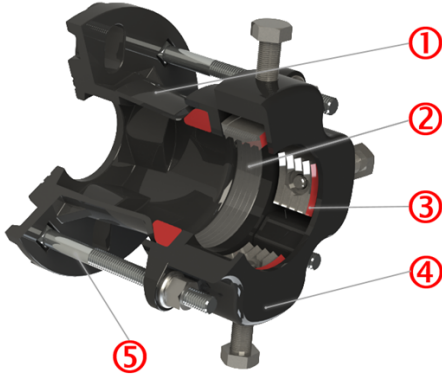
- Angular deflection  $\pm 4^\circ$ 
  - Mechanical locking
  - Hydraulic seal independent of mechanical locking

\* Use of a reinforcement ring is mandatory

DN	J Mini - Maxi	L1 (mm)	L2 (mm)	ØF (mm)	ØM (mm)	Número	X	Peso líquido	Referência
50	58-74	170	100	170	165		40-70	6,22	MAA50SFCR1
50/65	68-84	170	100	183	185		40-70	7,20	MAA70SFCR1
80	84-105	170	100	210	200		40-70	8,26	MAC80SFCR1
100	99-118	170	100	223	230		40-70	8,96	MAC10SFCR1
100	109-133	170	100	244	230		40-70	10,32	MAB10SFCR1
125/150	133-157	185	116	268	285		35-80	13,46	MAB12SFCR1
150	157-182	180	110	296	285		35-80	13,72	MAA15SFCR1
200	194-215	190	118	322	343		20-80	16,88	MAC20SFCR1
200	218-242	190	120	354	343		35-80	18,48	MAA20SFCR1
250	242-268	190	120	403	406		35-80	23,92	MAB25SFCR1
250	266-291	190	120	405	406		35-80	30,18	MAA25SFCR1
300	302-327	190	120	443	483		35-80	35,34	MAC30SFCR1



## Product description



### 1- Connection flange

ISO PN16 flange made of RILSAN®11-coated GS cast iron. The conical inner end ensures uniform compression of the seal without creep.

### 2- Gasket

Truncated cone-shaped gasket that fits perfectly between the connection body and the pipe.

### 3- Locking pad

Made of GEOMET-coated C40 hardened steel, it locks the pipe in place with high tear-out resistance thanks to the special profile of the teeth. The clearance between the screw and the pad ensures optimal positioning of the pad on the pipe surface when tightening. The pad can be mounted and dismantled without damaging the coating.

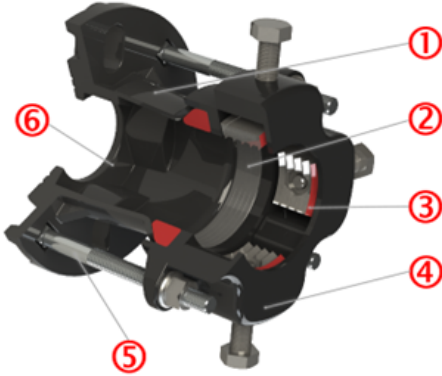
### 4- Retention and anti-disengagement ring

Made of RILSAN®11-coated GS cast iron, it optimizes tear resistance while preventing the tie rods from rotating during tightening. It also protects the pads.

### 5- Compression tie rod

Made of A2 stainless steel, it brings the flange and the fitting closer together to compress the seal and ensure the adapter is watertight.

## Materials and coatings



Reference	Designation	Material	Coating
1	Connection	GS cast iron	RILSAN®11
2	Sealing gasket	EPDM	
3	Locking pad	C40 hardened steel - GEOMET screw	
4	Retention ring	GS cast iron	RILSAN®11
5	Tie rod	Stainless steel	
6	Flange	GS cast iron	RILSAN®11

## Installation instructions

See our [Installation Instructions](#)