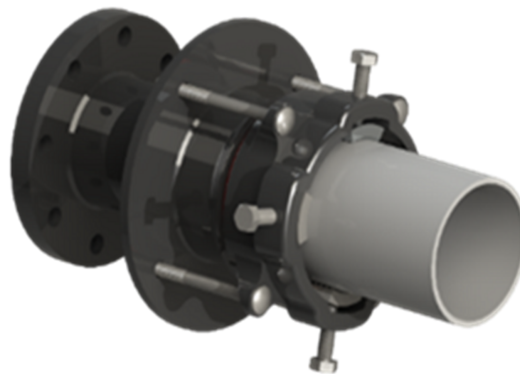


## RFLEX - Multi-Material Large Tolerance PN25 Locked Flange Adapter



The RFLEX range of multi-material, wide tolerance flange adapters guarantees a tight seal and high tensile strength on all types of cast iron, steel, and plastic pipes from DN50 to DN250 PN25.

Very quick and easy to install, RFLEX allows independent adjustment of the locking and sealing mechanisms.

Independently adjustable C40 hardened steel inserts ensure locking. The clearance between the screw and the insert guarantees optimal positioning of the insert on the pipe surface when tightening. The specific shape of the teeth allows for clamping that guarantees high tear resistance. The insert can be mounted and dismantled without damaging the coating. The possible angular deviation is  $\pm 4^\circ$ .

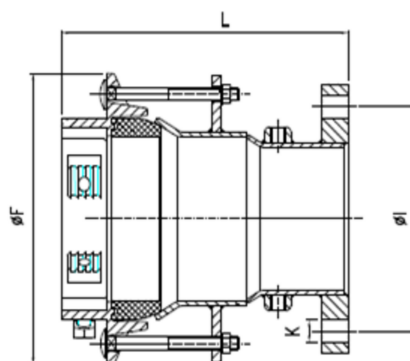
The 8.8 corrosion-resistant steel tie rods connect the flange to the fitting. They compress the seal to achieve a perfect seal. The EPDM seal is truncated conical, which ensures optimal positioning on the pipe while allowing a tolerance of up to 26 mm on the outer diameter.

The part is coated with Rilsan® 11, a high-performance biological polyamide made from renewable castor beans. This coating offers an exceptional level of versatility, safety, durability, and resistance to permeation.

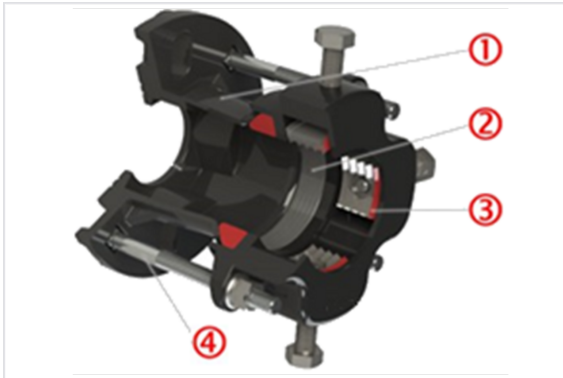
- DN50 - DN250 (OD 39 mm to OD 288 mm) - PN25
- Grey & ductile cast iron, steel, PVC pressure\*, PE\*
- Drinking water and raw water
- Carbon steel body coated with Rilsan® Polyamide 11
- GEOMET tie rods (A2/A4 stainless steel variant available)
- C40 GEOMET hardened steel locking inserts
- EPDM seal (NBR on request)
- Tolerance range 30 mm
- Angular deviation  $\pm 4^\circ$
- Hydraulic seal independent of mechanical locking

\* Use of a reinforcement ring is mandatory

DN	Range (mm)	L (mm)	ØI (mm)	ØF (mm)	Titants (No./Ø)	K (No./Ø)	Insert (No.)
50	39-69	360	125	273	4/M20	4/M16	4
50	46-76	360	125	280	4/M20	4/M16	4
65	57-87	360	145	288	4/M20	8/M16	4
80	78-108	360	160	300	4/M20	8/M16	4
100	87-117	360	190	320	4/M20	8/M20	4
100	100-130	360	190	330	4/M20	8/M20	4
125	117-147	360	220	345	4/M20	8/M24	4
150	129-159	360	250	360	4/M20	8/M24	4
150	138-168	360	250	375	4/M20	8/M24	4
150	152-182	360	250	385	4/M20	8/M24	4
200	172-202	360	310	400	6/M20	12/M24	6
200	186-216	360	310	415	6/M20	12/M24	6
200	198-228	360	310	430	6/M20	12/M24	6
200	208-238	360	310	440	6/M20	12/M24	6
250	230-260	360	370	460	6/M20	12/M27	6
250	246-276	360	370	473	6/M20	12/M27	6
250	258-288	360	370	489	9/M20	12/M27	9



## Product description



### 1- Connection flange

ISO PN16 flange made of carbon steel coated with RILSAN®11. The conical inner end ensures uniform compression of the seal without creep.

### 2- Gasket

Truncated cone-shaped gasket that fits perfectly between the connector body and the pipe.

### 3- Locking insert

Made of GEOMET-coated C40 hardened steel, it locks the pipe with high tear resistance thanks to the special profile of the teeth. The clearance between the screw and the insert ensures optimal positioning of the insert on the pipe surface when tightening. The insert can be mounted and dismantled without damaging the coating.

### 4- Compression tie Made

of 8.8 steel with anti-corrosion treatment, it brings the flange and the fitting closer together to compress the seal and ensure the adapter is watertight.

## Materials and coatings

Reference	Designation	Material	Coating
1	Fitting	Carbon steel	RILSAN®11
2	Sealing gasket	EPDM	
3	Insert	C40 hardened steel - GEOMET screw	
5	Tie rod	8.8 steel	GEOMET

## Installation instructions

See our [Installation Instructions](#)