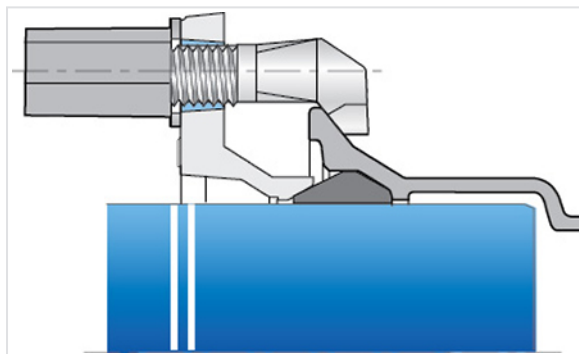


Conjunto para acessórios PECB Express + Junta Express



Angulo	DN	Peso do Kit	Referência
90°	350	100.97 kg	SEB35CA00TT2-E00
45°	350	83.76 kg	SEB35CB00TT2-E00
22°30'	350	69.47 kg	SEB35CD00TT2-E00
11°15'	350	66.22 kg	SEB35CE00TT2-E00
90°	400	126.45 kg	SEB40CA00TT2-E00
22°30'	400	87.96 kg	SEB40CD00TT2-E00
11°15'	400	79.56 kg	SEB40CE00TT2-E00
90°	450	176.43 kg	SEB45CA00TT2-E00
45°	450	139.05 kg	SEB45CB00TT2-E00
11°15'	450	114.37 kg	SEB45CE00TT2-E00
90°	500	212.4 kg	SEB50CA00TT2-E00
45°	500	181.42 kg	SEB50CB00TT2-E00
22°30'	500	152.76 kg	SEB50CD00TT2-E00
11°15'	500	131.76 kg	SEB50CE00TT2-E00
45°	600	258.18 kg	SEB60CB00TT2-E00
22°30'	600	211.66 kg	SEB60CD00TT2-E00
11°15'	600	180.06 kg	SEB60CE00TT2-E00

DN	Peso do Kit	Referência
60	12.96 kg	SEA60MN00TT-S00
100	13.94 kg	SEB10MN00TT-S00
125	19.82 kg	SEB12MN00TT-S00

DN	Peso do Kit	Referência
150	19.88 kg	SEB15MN00TT-S00
200	28.8 kg	SEB20MN00TT-E00
250	41.88 kg	SEB25MN00TT-E00
300	52.36 kg	SEB30MN00TT-E00
350	74.09 kg	SEB35MN00TT2-E00
400	88.02 kg	SEB40MN00TT2-E00
450	115.52 kg	SEB45MN00TT2-E00
500	143.73 kg	SEB50MN00TT2-E00
600	239.83 kg	SEB60MN00TT2-E00
700	365.42 kg	SEB70MN00TT-E00
800	449.06 kg	SEB80MN00TT-E00
900	545.96 kg	SEB90MN00TT-E00
1000	653.36 kg	SEC10MN00TT-E00

DN	Ø dn	Peso do Kit	Referência
350	200	57.68 kg	SEB35VE0KTT2-E00
350	250	58.15 kg	SEB35VE0LTT2-E00
350	300	64.56 kg	SEB35VE0MTT2-E00
400	250	74.78 kg	SEB40VE0LTT2-E00
400	300	76.09 kg	SEB40VE0MTT2-E00
400	350	76.54 kg	SEB40VE0YTT2-E00
450	300	102.92 kg	SEB45VE0MTT2-E00
450	400	99.83 kg	SEB45VE0NTT2-E00
500	350	120.83 kg	SEB50VE0YTT2-E00
500	400	118.13 kg	SEB50VE0NTT2-E00
600	400	167.9 kg	SEB60VE0NTT2-E00
600	500	170.71 kg	SEB60VE0QTT2-E00

DN	Ø dn	PN	Peso do Kit	Referência
250	150	10 16	56.98 kg	SEB25UD1JTT2-E00
300	200	10	80.86 kg	SEB30UD1KTT2-E00
350	60	10 16	73.99 kg	SEB35UD1CTT2-E00
350	60	25 40	73.99 kg	SEB35UD3CTT2-E00
350	80	10 16 25 40	75.67 kg	SEB35UD1ETT2-E00
350	100	10 16	77.24 kg	SEB35UV1FTT2-E00

DN	Ø dn	PN	Peso do Kit	Referência
350	100	25 40	78.61 kg	SEB35UV3FTT2-E00
350	150	10 16	85.43 kg	SEB35UD1JTT2-E00
350	150	25 40	87.53 kg	SEB35UD3JTT2-E00
350	200	10	92.06 kg	SEB35UD1KTT2-E00
350	250	10	104.16 kg	SEB35UD1LTT2-E00
350	250	16	104.16 kg	SEB35UD2LTT2-E00
350	300	10	110.46 kg	SEB35UD1MTT2-E00
350	350	10	121.86 kg	SEB35UD1YTT2-E00
350	350	16	122.66 kg	SEB35UD2YTT2-E00
400	80	10 16 25 40	90.96 kg	SEB40UD1ETT2-E00
400	100	10 16	96 kg	SEB40UV1FTT2-E00
400	150	10 16	98.46 kg	SEB40UD1JTT2-E00
400	150	25 40	100.2 kg	SEB40UD3JTT2-E00
400	200	10	107.03 kg	SEB40UD1KTT2-E00
400	200	16	107.24 kg	SEB40UD2KTT2-E00
400	250	10	120.36 kg	SEB40UD1LTT2-E00
400	250	16	120.36 kg	SEB40UD2LTT2-E00
400	250	25	123.09 kg	SEB40UD3LTT2-E00
400	300	10	127.29 kg	SEB40UD1MTT2-E00
400	300	16	126.59 kg	SEB40UD2MTT2-E00
400	300	25	130.76 kg	SEB40UD3MTT2-E00
400	400	10	151.34 kg	SEB40UD1NTT2-E00
400	400	16	156.06 kg	SEB40UD2NTT2-E00
400	400	25	165.51 kg	SEB40UD3NTT2-E00
450	100	10 16	126.97 kg	SEB45UV1FTT2-E00
450	100	25 40	128.34 kg	SEB45UV3FTT2-E00
450	150	10 16	135.58 kg	SEB45UD1JTT2-E00
450	150	25 40	137.68 kg	SEB45UD3JTT2-E00
450	450	10	211.26 kg	SEB45UD1PTT2-E00
500	100	10 16	145.72 kg	SEB50UV1FTT2-E00
500	100	25 40	147.09 kg	SEB50UV3FTT2-E00
500	150	10 16	155.26 kg	SEB50UD1JTT2-E00
500	300	10	189.36 kg	SEB50UD1MTT2-E00
500	300	16	188.66 kg	SEB50UD2MTT2-E00

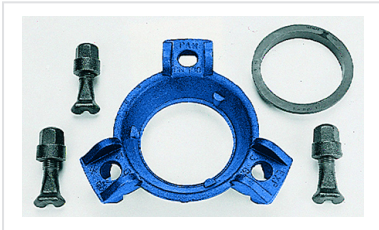
DN	Ø dn	PN	Peso do Kit	Referência
500	400	10	216.06 kg	SEB50UD1NTT2-E00
500	500	10	272.88 kg	SEB50UD1QTT2-E00
500	500	16	286.53 kg	SEB50UD2QTT2-E00
600	100	10 16	195.56 kg	SEB60UD1FTT2-E00
600	200	10	235.5 kg	SEB60UV1KTT2-E00
600	200	16	235.71 kg	SEB60UV2KTT2-E00
600	300	10	246.86 kg	SEB60UD1MTT2-E00
600	400	10	277.46 kg	SEB60UD1NTT2-E00
600	600	10	354.96 kg	SEB60UD1RTT2-E00
800	200	10	477.7 kg	SEB80UD1KTT-E00
800	200	25	450.26 kg	SEB80UD3KTT-E00
1000	150	10 16	636.96 kg	SEC10UD1JTT-E00
1000	200	16	695.96 kg	SEC10UD2KTT-E00
1000	300	10	790.96 kg	SEC10UD1MTT-E00
1000	400	10	767.96 kg	SEC10UD1NTT-E00
1000	400	16	771.96 kg	SEC10UD2NTT-E00
1000	600	10	1135.96 kg	SEC10UD1RTT-E00

DN	PN	Peso do Kit	Referência
350	10	62.28 kg	SEB35BE10TT2-E00
350	16	63.4 kg	SEB35BE20TT2-E00
350	25	69.28 kg	SEB35BE30TT2-E00
400	10	74.57 kg	SEB40BE10TT2-E00
400	16	79.29 kg	SEB40BE20TT2-E00
400	25	88.74 kg	SEB40BE30TT2-E00
450	10	95.41 kg	SEB45BE10TT2-E00
450	16	100.45 kg	SEB45BE20TT2-E00
450	25	110.63 kg	SEB45BE30TT2-E00
500	10	117.8 kg	SEB50BE10TT2-E00
500	16	131.45 kg	SEB50BE20TT2-E00
500	25	137.75 kg	SEB50BE30TT2-E00
600	10	159.28 kg	SEB60BE10TT2-E00
600	16	185.53 kg	SEB60BE20TT2-E00
600	25	188.68 kg	SEB60BE30TT2-E00

DN	PN	Peso do Kit	Referência
700	10	212.21 kg	SEB70BE10TT-E00
700	16	220.21 kg	SEB70BE20TT-E00
700	25	250.21 kg	SEB70BE30TT-E00
800	10	269.53 kg	SEB80BE10TT-E00
800	16	277.53 kg	SEB80BE20TT-E00
800	25	367.53 kg	SEB80BE30TT-E00
900	10	325.98 kg	SEB90BE10TT-E00
900	16	335.98 kg	SEB90BE20TT-E00
1000	10	404.18 kg	SEC10BE10TT-E00
1000	16	421.18 kg	SEC10BE20TT-E00
1000	25	487.18 kg	SEC10BE30TT-E00

DN mm	PFA bar
60	40
80	40
100	40
125	40
150	40
200	40
250	40
300	40
350	25
400	25
450	25
500	25
600	25
700	25
800	25
900	25
1000	25
1100	25
1200	25

Produtos associados



Conjunto junta Express para acessórios Express DN200 a 1200



Conjunto junta Express New para acessórios Express DN60-150